

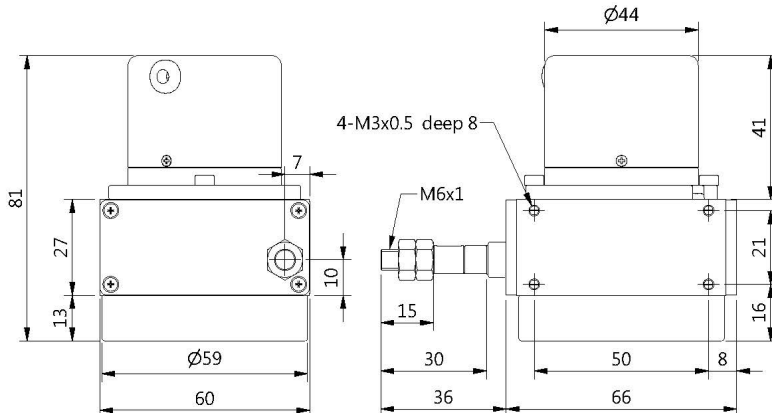
# EHP-SS-V

**DISPLACEMENT SENSOR**  
**LINEAR WIRE POTENTIOMETER**



- Measuring Range 500/1000 mm
- Electric 0-5Vdc and 0-10Vdc Output

## DIMENSION



## ORDERING INFORMATION

EHP-SS-	Measuring Range 量測行程	Signal Mode 信號模式	Pot. Life 電位計壽命及線性度
	05: 500 mm	*5V: 0-5V	Blank: 1x10 <sup>6</sup> cycles, linearity 0.3%FS
	10: 1000 mm	*10V: 0-10V	*F25: 5x10 <sup>6</sup> cycles, linearity 0.3%FS *F: 5x10 <sup>6</sup> cycles, linearity 0.15%FS

## ELECTRICAL SPEC.

Full Stroke (mm) 量測行程	500, 1000
Sensor	Wire-wound and hybrid potentiometer
Output Signal Mode 輸出信號模式	0-5Vdc or 0-10Vdc
Linearity 線性度	[standard class] ±0.3% FS; [precision class] ±0.15% FS
Repeatability 重覆性	±0.05% FS
Input Power 供應電壓	15-30Vdc±20%
Input Current 供應電流	10 mA max.

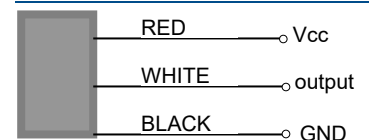
## MECHANICAL SPEC.

Wire Specification 線徑規格	Material: SUS304 with nylon coating; Diameter: 0.6 mm
Max. Travel Speed 最大往復速度	500 mm / sec.
Vibration 震動	10 Hz to 2000 Hz, 10 g
Cable 電線	Ø4.2, 50 cm long
Weight 重量	< 600 g
Starting Torque on Spring 拉力	< 600 g

## ENVIRONMENTAL SPEC.

Operating Temp. / Humidity 操作溫度/濕度	-0°C ~ 70°C, RH35% ~ 90%(No Condensation)
Storage Temp. 儲存溫度	-20°C ~ 80°C
Protection 保護等級	IP50: Dust Proof (only for potentiometer housing)

## Electrical Connection



### [Option Component]

Ordering Part No. **HA-90074**

