

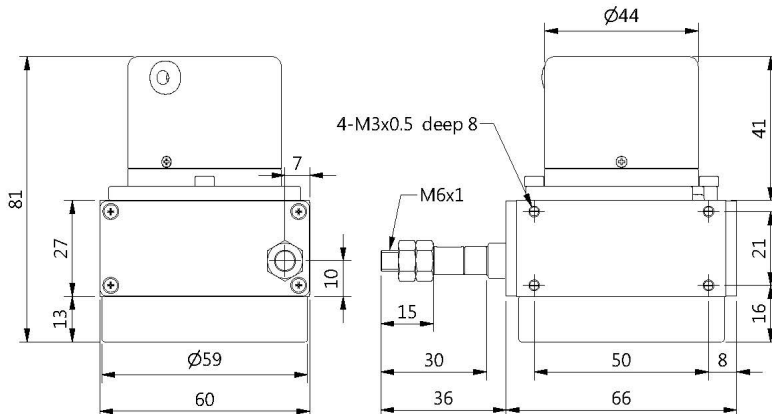
EHP-SS-MA

DISPLACEMENT SENSOR
LINEAR WIRE POTENTIOMETER



- Measuring Range 500/1000 mm
- Analog Current 4-20mA Output

DIMENSION



ORDERING INFORMATION

EHP-SS -	<input type="text"/>	-	420 -	<input type="text"/>
	Measuring Range 量測行程			Pot. Life 電位計壽命及線性度
	05 : 500 mm			Blank : 1x10 ⁶ cycles, linearity 0.3%FS
	10 : 1000 mm			*F25 : 5x10 ⁶ cycles, linearity 0.3%FS
				*F : 5x10 ⁶ cycles, linearity 0.15%FS

ELECTRICAL SPEC.

Full Stroke (mm) 量測行程	500, 1000
Sensor	Wire-wound and hybrid potentiometer
Output Signal Mode 輸出信號模式	4-20 mA
Linearity 線性度	[standard class] ±0.3% FS; [precision class] ±0.15% FS
Repeatability 重覆性	±0.05% FS
Input Power 供應電壓	15-30Vdc±20%
Input Current 供應電流	20 mA max.
Loop Resistance (load)	(loop supply voltage -12) / 0.02 max.
Zero and Span Adjustment	±5%

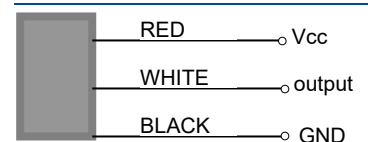
MECHANICAL SPEC.

Wire Specification 線徑規格	Material: SUS304 with nylon coating; Diameter: 0.6 mm
Max. Travel Speed 最大往復速度	500 mm / sec.
Vibration 震動	10 Hz to 2000 Hz, 10 g
Cable 電線	Ø4.2, 50 cm long
Weight 重量	< 600 g
Starting Torque on Spring 拉力	< 600 g

ENVIRONMENTAL SPEC.

Operating Temp. / Humidity 操作溫度/濕度	-0°C ~ 70°C, RH35% ~ 90%(No Condensation)
Storage Temp. 儲存溫度	-20°C ~ 80°C
Protection 保護等級	IP50: Dust Proof (only for potentiometer housing)

Electrical Connection



[Option Component]

Ordering Part No. **HA-90074**

